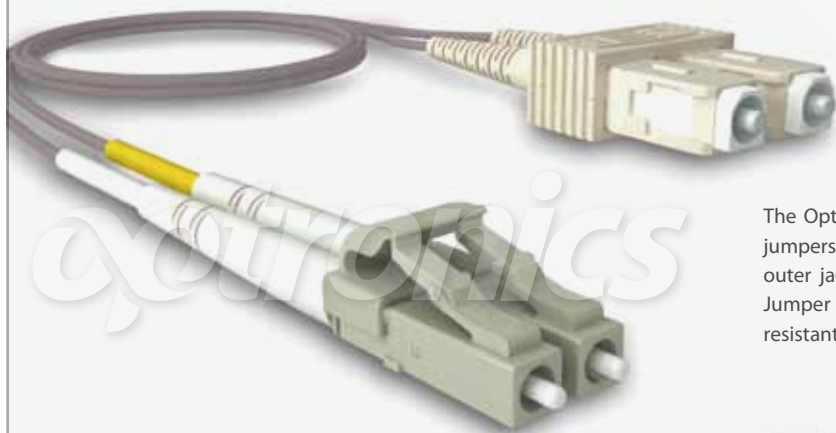


Armored Jumper



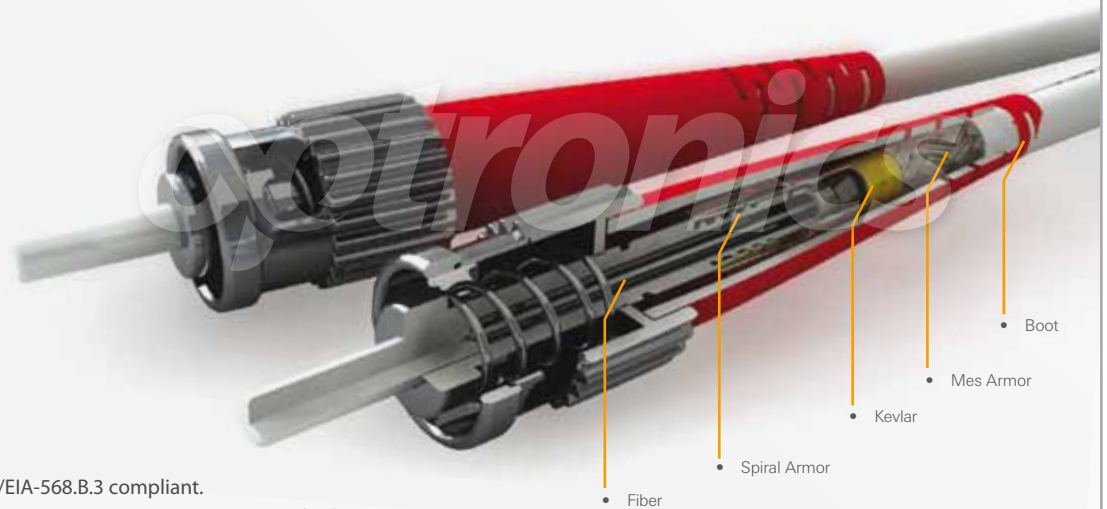
Multimode - Single Mode
OPJULCPSCPYY50010RA3

The Optronics Armored Jumper retains all the features of standard jumpers, but it is much stronger. With stainless steel tube inside the outer jacket to protect the central unit of the cable, the Armored Jumper is ideal to use in harsh environment. It is flexible but extreme resistant, anti-rodent and able to bend without being broken.



CONNECTORS	FC	ST	SC	LC	MU
Fastening	Threaded coupling	Bayonet fitting	Push-pull	Plug-in	Push-pull
Body	Metallic	Metallic	Plastic	Plastic	Plastic
Ferrule	Ceramic	Ceramic	Ceramic	Ceramic	Ceramic
Ferrule diameter	2.5mm	2.5mm	2.5mm	1.5mm	1.5mm
Polish	PC/UPC/APC	PC/UPC	PC/UPC/APC	PC/UPC	PC/UPC
Ferrule tolerance	125.0±1µm SM 126.0±1µm MM	125.0±1µm SM 126.0±1µm MM	125.0±1µm SM 126.0±1µm MM	125.0±1µm SM 126.0±1µm MM	125.0±1µm SM 126.0±1µm MM
Insertion loss	≤0.20 dB PC ≤0.30 dB UPC ≤0.45 dB APC	≤0.20 dB PC ≤0.30 dB UPC	≤0.20 dB PC ≤0.30 dB UPC ≤0.45 dB APC	≤0.20 dB PC ≤0.30 dB UPC	≤0.20 dB PC ≤0.30 dB UPC
Return loss	≤0.45 dB UPC ≤0.50 dB APC	≤0.45 dB UPC	≤0.45 dB UPC ≤0.50 dB APC	≤0.45 dB UPC	≤0.45 dB UPC
Temperature	-40°C to 85°C	-40°C to 85°C	-40°C to 85°C	-40°C to 85°C	-40°C to 85°C
Durability	± 1db 500 Insertions	± 1db 500 Insertions	± 1db 500 Insertions	± 1db 500 Insertions	± 1db 500 Insertions
Boot color	Black PC Aqua 10G Blue UPC Green APC	Black PC Aqua 10G Yellow UPC	Beige PC Aqua 10G Blue UPC Green APC	White PC Aqua 10G White UPC	Black PC Blue UPC

Armored Jumper



Features

- IEEE 802.3u, IEC 60794, TIA/EIA-568.B.3 compliant.
- Telcordia GR-326 and IEEE 802.3u/802.3x/802.3z/802.3j standards tested.
- 50/125µm Multi Mode, 9/125µm Single Mode.
- 1.6mm and 2mm Simplex / Duplex.
- Fibers offers low insertion loss once joined to connector.
- Easy installation, designed construction to support tough usage for high performance.
- Different type of terminations SC to ST, LC to FC, etc.
- Up to 32,81ft length (larger length custom cable available upon request).
- Temperature range -20°C up to +85°C.

SPECIFICATIONS

Norms and Standards	Telcordia GR-326, IEEE 802.3u/802.3x/802.3z/802.3j, IEC 60794, TIA/EIA-568.B.3			
Fiber Jacket	Color	Multimode: gray	Single mode: blue	
	Diameter	3mm ± 0.05mm		
	Thickness	0.80mm ± 0.80mm		
	Temperature	-20°C up to 85°C		
Fiber optic	Core diameter	Fiber: 9/125µm, 50/125µm, 62.5/125µm	Value: ±.70mm	
	Cladding diameter	125.0 ± 2.0µm		
	Core concentricity	≤1.5µm		
	Cladding concentricity	≤1.0%		
	Wavelength	Multimode:	850 nm	1300 nm
		Single mode:	1310 nm	1150 nm
	Maximum value	dB/Km	≤0.03	≤0.02
Recommended Light source	Multimode:	LED o VCSEL		
	Single mode:	Laser		